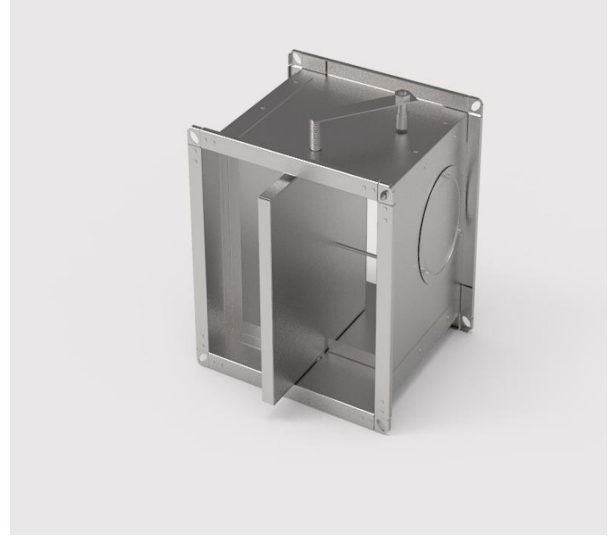
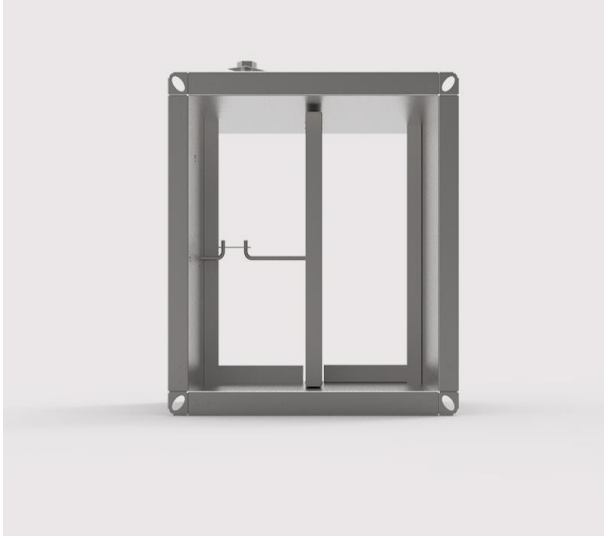


FIRE DAMPERS - PRISMATIC- CKY-01A



AREAS OF USE AND FEATURES: CKY-01 / 01A it is used in Hvac systems to prevent fire transitions between locations in suction and blowing ducts. In general use, it is kept in an open position. It can be used as motorized and insured.

MATERIAL: CKY-01A Fire dampers body 1.2 mm. It is produced from galvanized plate by cold rivet method. blades are manufactured from 1.2 mm galvanized plate and 50kg / m³ rock wool filled and single wing. The wing is centered on the body by means of specially manufactured bushings. In the fused models, there is an intervention cover on the body. Fuse breaks automatically at 72 ° C

INSTALLATION: Bolted as standard.

COATING: Galvanized sheet metal

CKY-01/01AFIRE DAMPERS PRISMATIC STANDARTD DIMENSIONS	
W	100 – 200 – 300 – 400 – 500 – 600 – 700 – 800 – 900 – 1000 – 1100 – 1200 – 1300 – 1400 – 1500
H	100 – 200 – 300 – 400 – 500 – 600 – 700 – 800 – 900 – 1000

CKY-01 FIRE DAMPERS

CKY-01A FIRE DAMPERS

